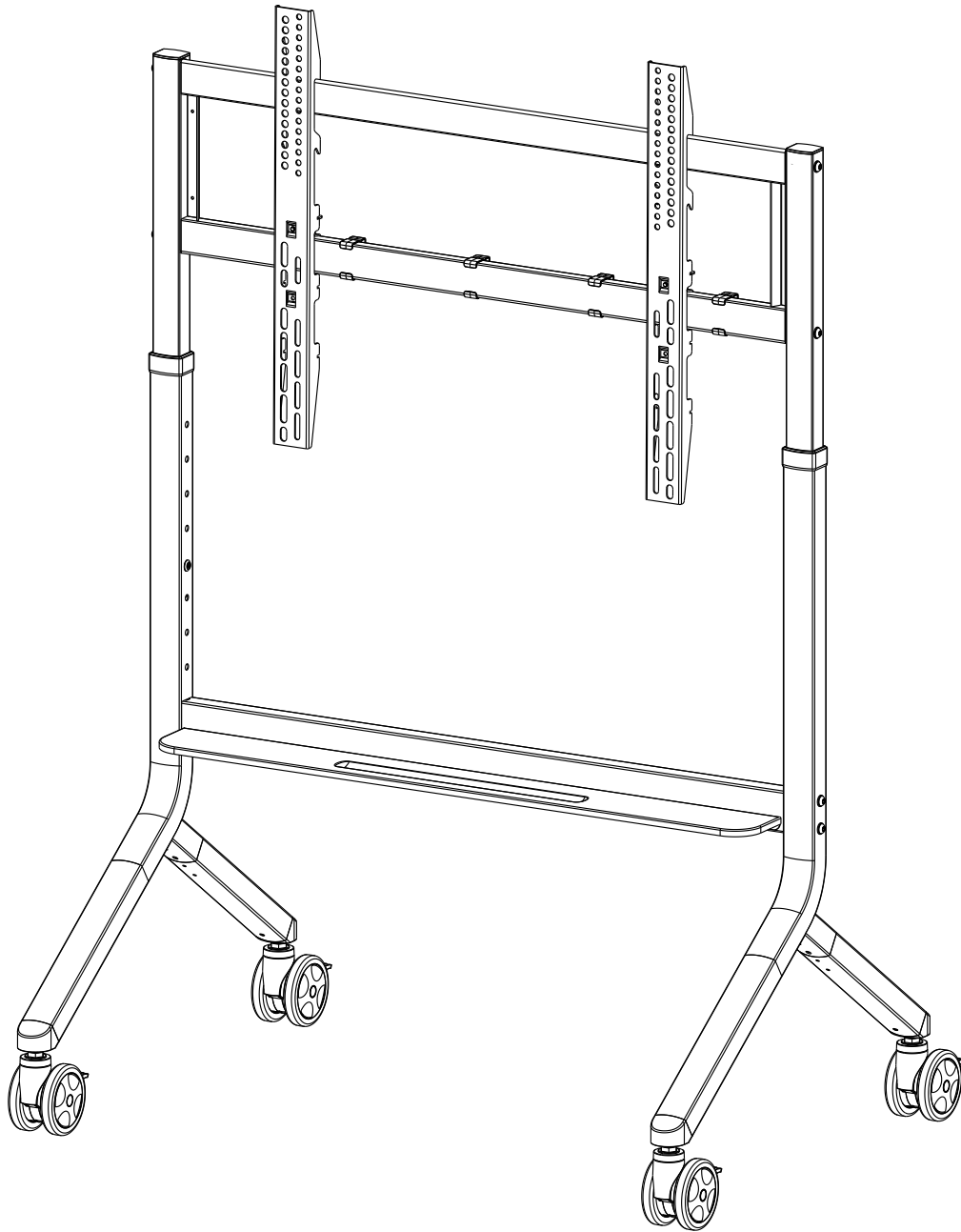


INSTALLATION MANUAL



**Versatile Professional Mobile Cart for Large Screen
Smart Board and Video Conference Room Solution**

Contents

Contents	01/13
Cautions	02/13
Part list and Hardware kit	03/13
1. Product technical specification	04/13
2. Legs and uprights assembly	05/13
3. Height adjustment	06/13
4. Tray and crossbar assembly	07/13
5. Pillars and crossbar assembly	08/13
6. VESA mounting frame assembly	09/13
7. VESA mounting patterns	10/13
8. VESA rails and TV assembly	11/13
9. Mounting TV onto cart	12/13
10. Cable management	13/13



IMPORTANT SAFETY INSTRUCTIONS & ASSEMBLY GUIDE

- Please read and understand all instructions and safety information provided before starting the installation process. Improper installation or assembly may result in personal injury or property damage.
- This product is compatible with most 65"- 90" TVs. The maximum load capacity is 150 lbs (68.2 kg), and the maximum AV shelf load capacity is 10 lbs (4.5 kg). Using products that exceed these weight limits may cause instability and lead to potential injury.
- Do not install or assemble if any part of the product or hardware is damaged or missing. For replacement parts, please contact your local distributor. If you have any questions or concerns regarding the instructions, please consult a qualified local installer.
- This product is intended for indoor use only. Securely tighten all assembly screws, but avoid over-tightening. We disclaim all liability for damages or injuries resulting from modifications, improper installation, incorrect assembly, or inappropriate use.
- Properly assemble the VESA rails vertically on the back of the TV and align the TV to the central position for optimal stability.
- Install and use the product only on a flat, solid, and level surface to prevent tipping. Lock the casters to secure the unit in place and unlock them when 360-degree mobility is required.
- This product contains moving parts and small components. Keep children away from the product to avoid tipping hazards or risk of choking. Using a tip-over restraint or anchoring the stand to the wall may reduce—but not eliminate—the risk of tipping. Continuous adult supervision is necessary.
- Death or serious injury may occur when children climb on audio and/or video equipment furniture. A remote control or toys placed on the furnishing may encourage a child to climb on the furnishing and as a result the furnishing may tip over on to the child .
- Relocating audio and/or video equipment to furniture not specifically designed to support audio and/or video equipment may result in death or serious injury due to the furnishing collapsing or over turning onto a child .

Part list

1	A 1X	2	B 1X	3	C 4X	4	D 1X
5	E 1X	6	F 1X	7	G 1X	8	H 1X
9	J 4X	10	K 4X		L 2X		

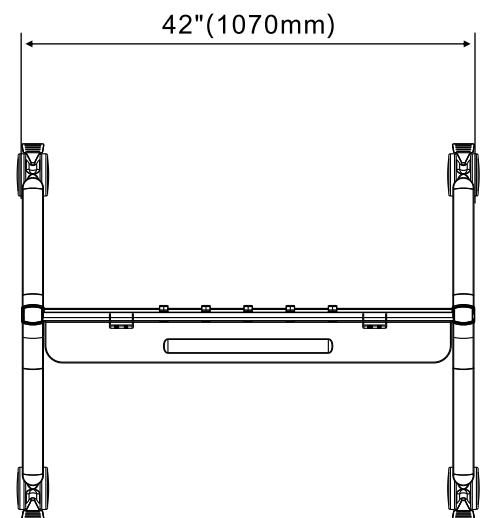
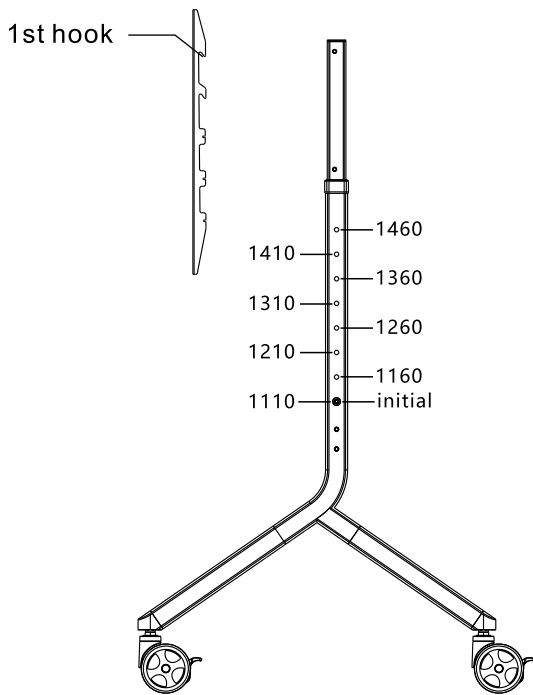
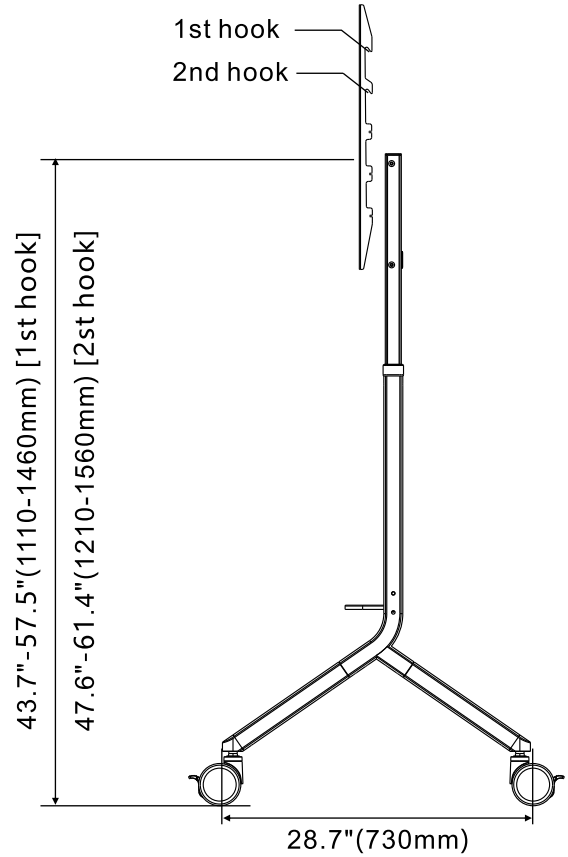
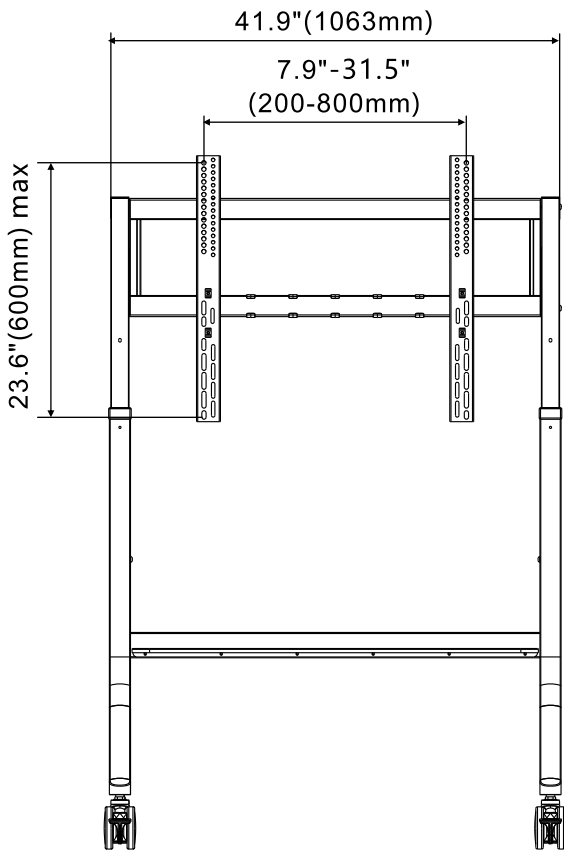
Hardware Kit

a M8x60mm 8x	b M6x10.5mm 8x	c Ø8.2x1.2mm 8x	d 5mm 1x	Screws for cart assembly color : black			
e M5x10mm 6x	f M6x20mm 2x						
g M10x15mm 4x	h M8x25mm 4x	i M6x25mm 4x	j M5x25mm 4x	k Ø6.2mm x1.5mm 4x	l Ø8.2mm x10mm 4x	Screws for screen assembly color : silver	

Manual

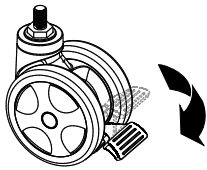
Tightening	Loosening	Philips Screwdriver	Tape Measure	Adjustment	By Hand	Hex Wrench	+ Tightening - Loosening

1. Product technical specification

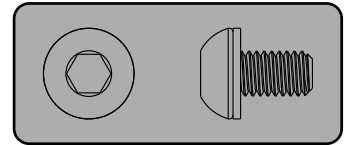


2.Legs and uprights assembly

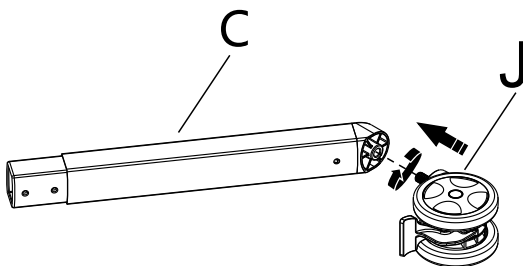
Step 1: Brake the casters before assembly.



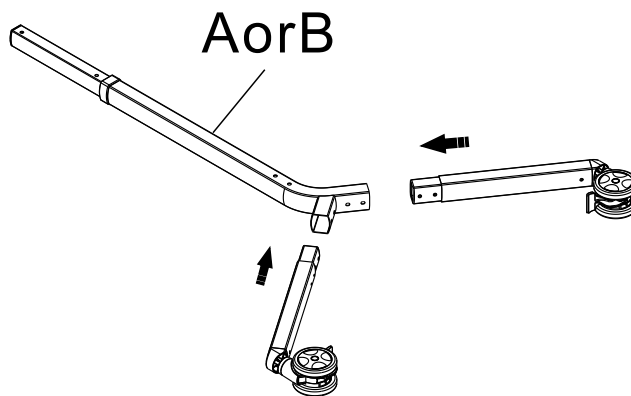
b. 1:1 diagram



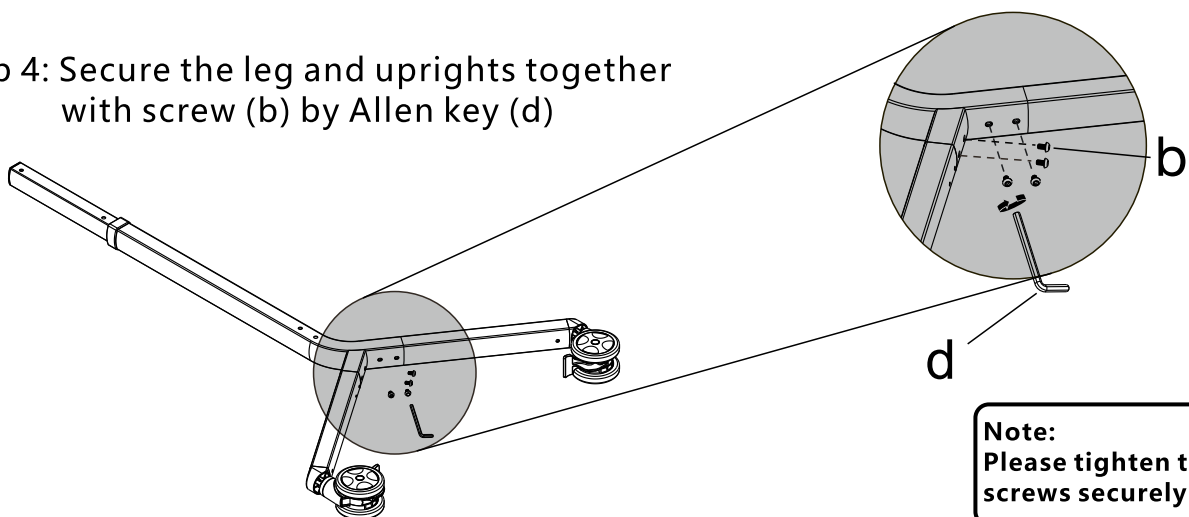
Step 2: Assemble the caster (J) onto the leg (C)



Step 3: Insert the top end of the leg into the bottom of the upright (A/B)

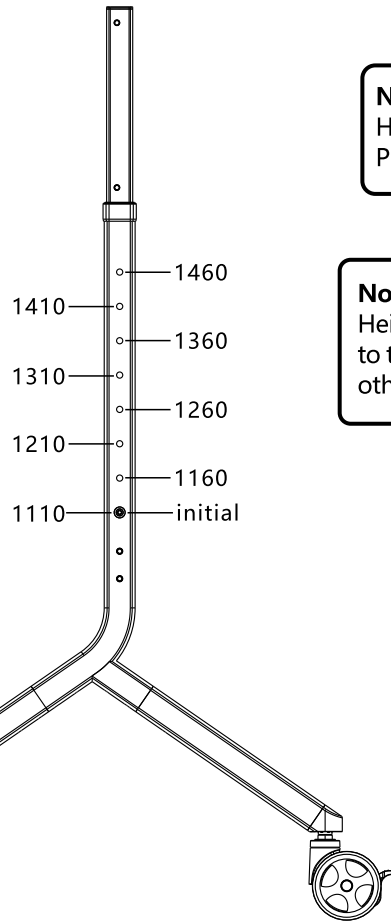
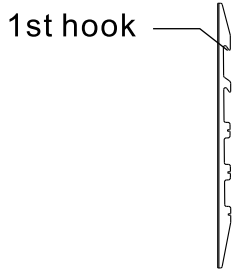


Step 4: Secure the leg and uprights together with screw (b) by Allen key (d)



Note:
Please tighten the screws securely!

3.Height adjustment



Note:

Height is set at initial position.
Please adjust to desired height for your use

Note:

Heights in diagram indicate the distance from floor to the center of TV, when VESA on TV is in center, otherwise, height for reference only.

Important:

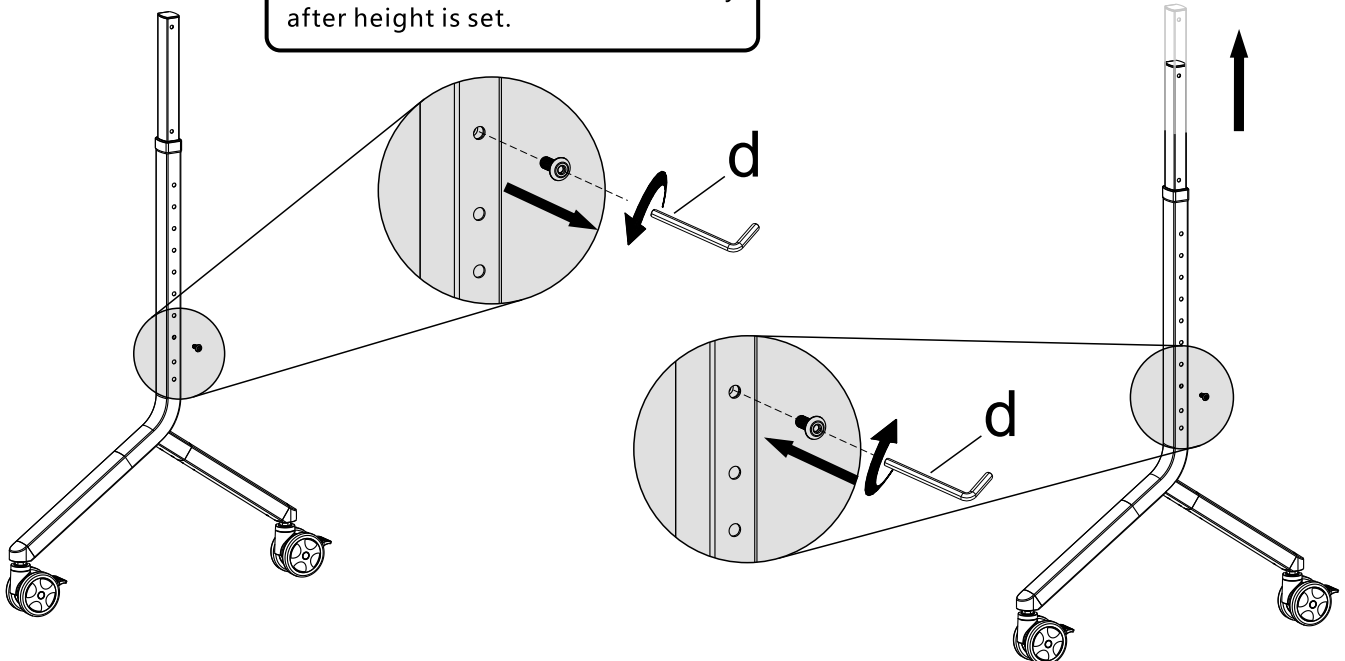
Left and right pillars must be set at the same height.

Step 1: Take out the screw with Allen key (d)

Step 2: Adjust the pillars to the desired height, and then fix the height with the screw, which is taken out in step 1, by Allen key (d)

Important:

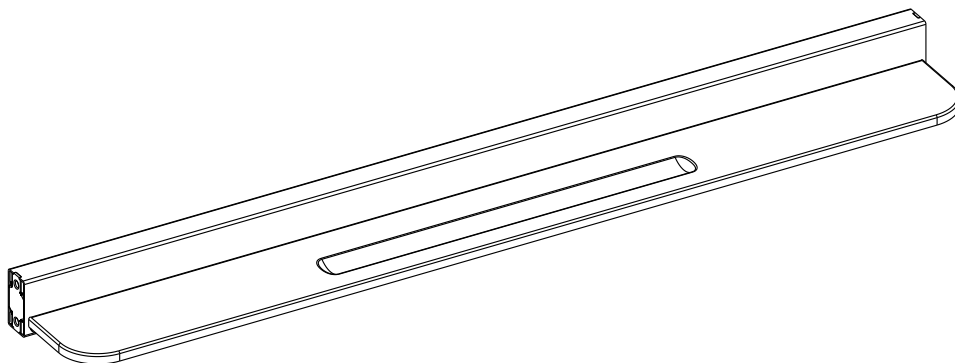
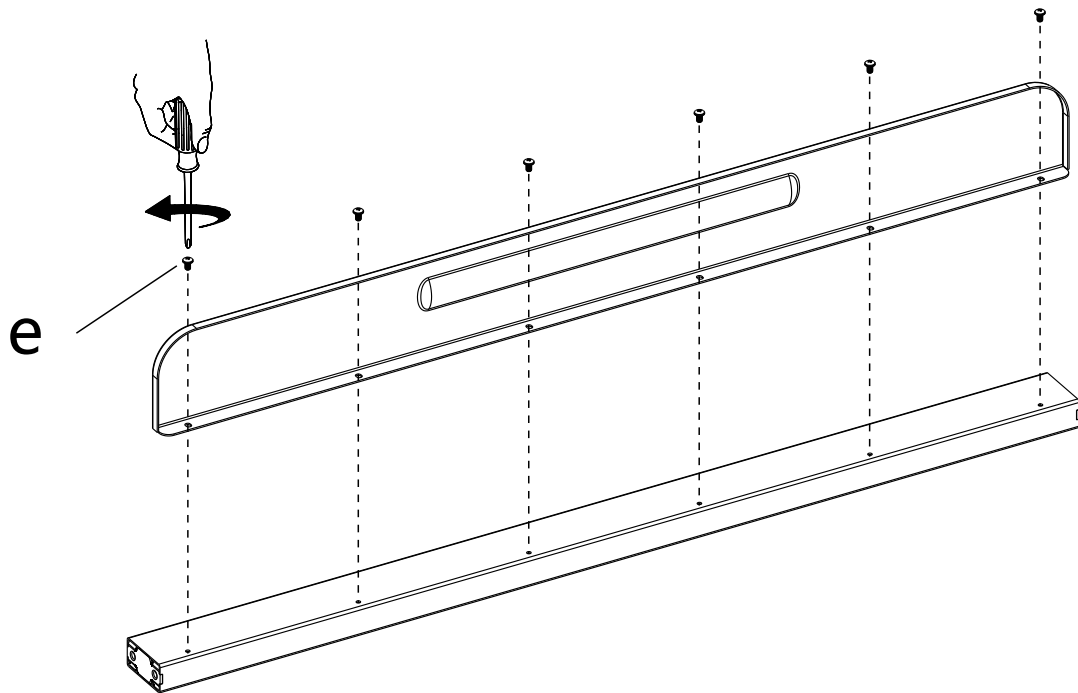
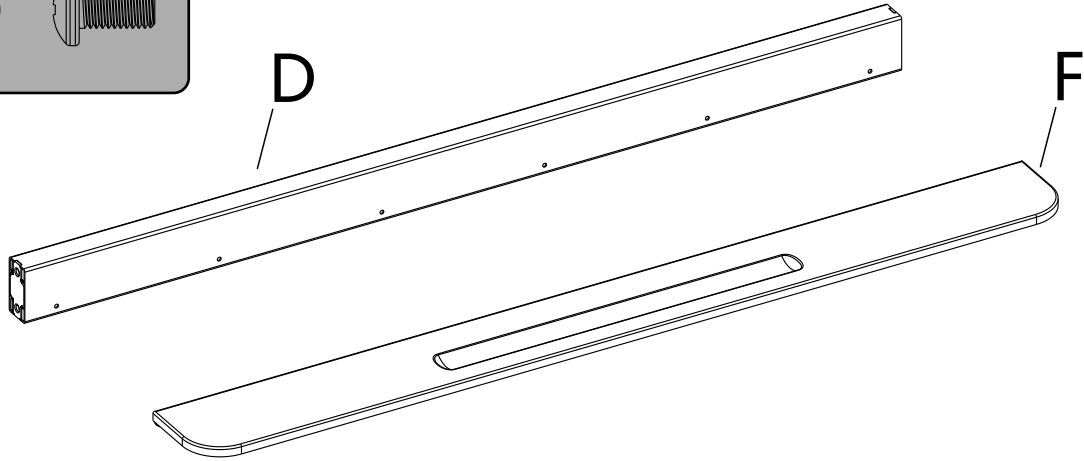
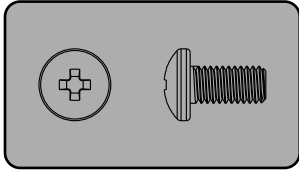
Ensure the screws are secured firmly after height is set.



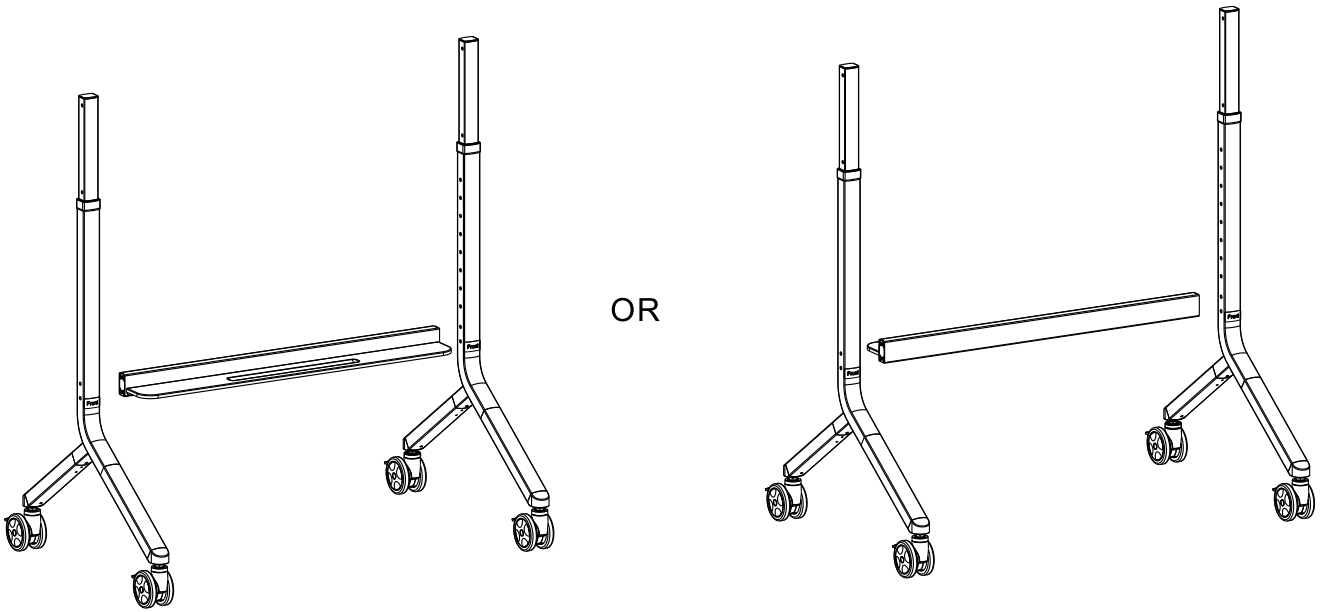
4. Tray and crossbar assembly

Assemble crossbar (D) and tray (E) together with screw (e),
grooving side facing up

e. 1:1 diagram



5. Pillars and crossbar assembly



OR



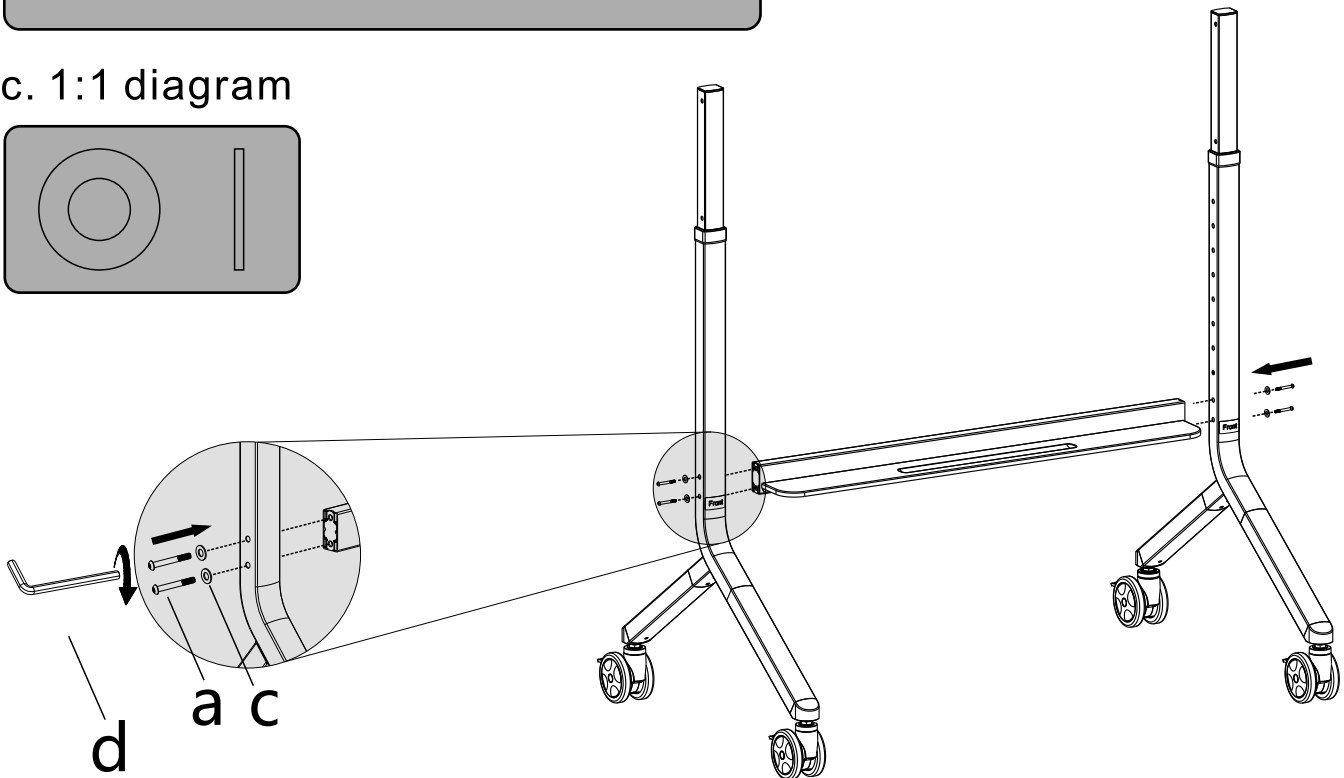
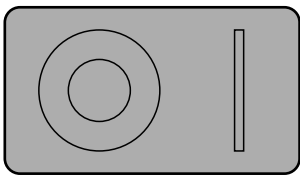
Note:
Ensure screws are secured firmly.

Important:
At least two persons are required for assembly.

a. 1:1 diagram

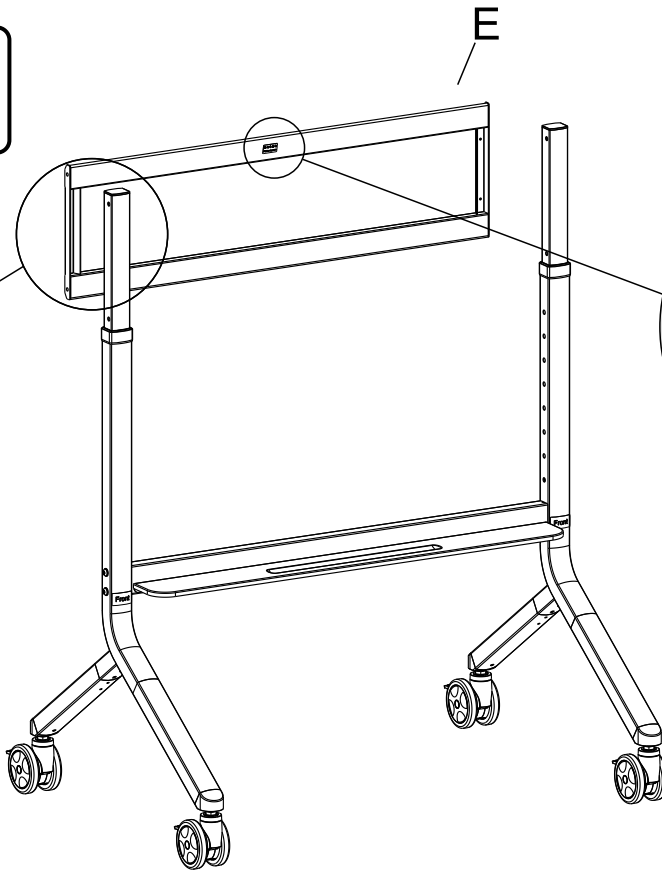
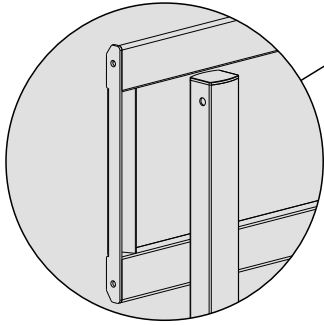


c. 1:1 diagram

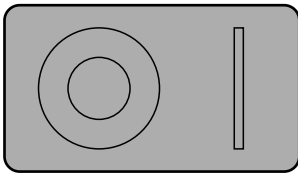


6. VESA mounting frame assembly

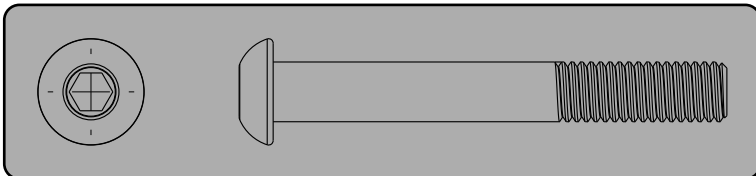
Note:
Assemble the frame as per label instructions



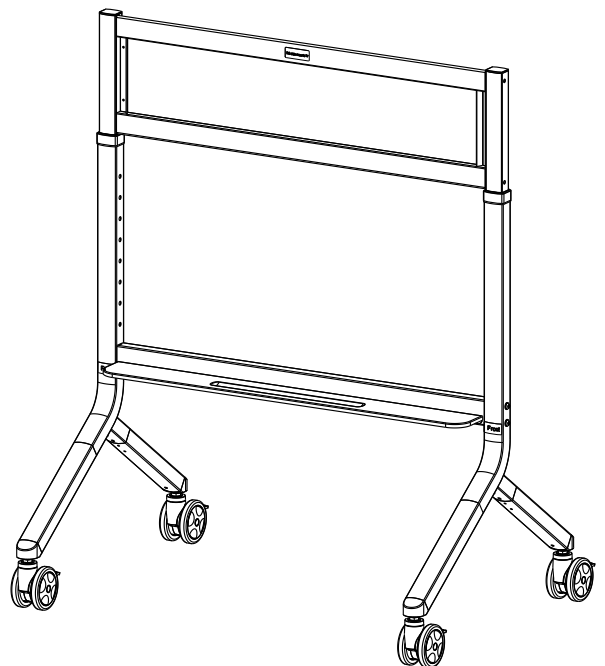
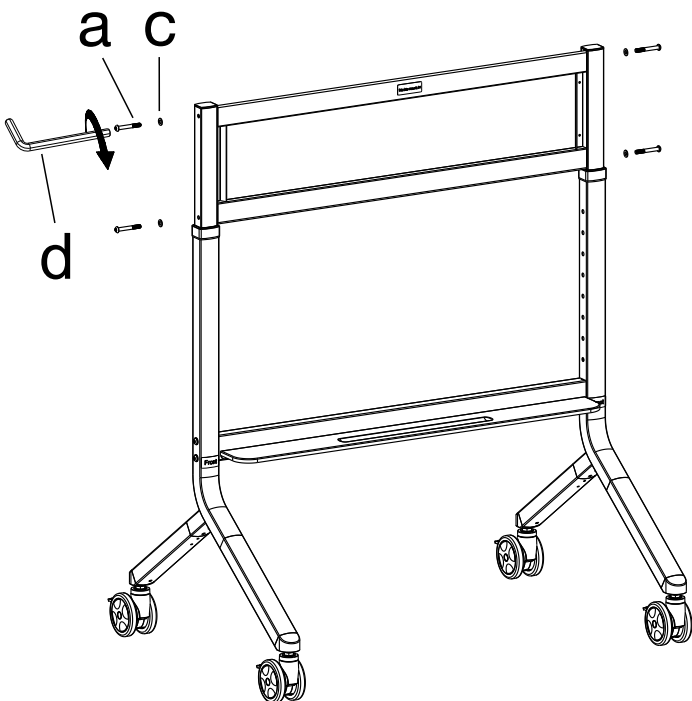
c. 1:1 diagram



a. 1:1 diagram

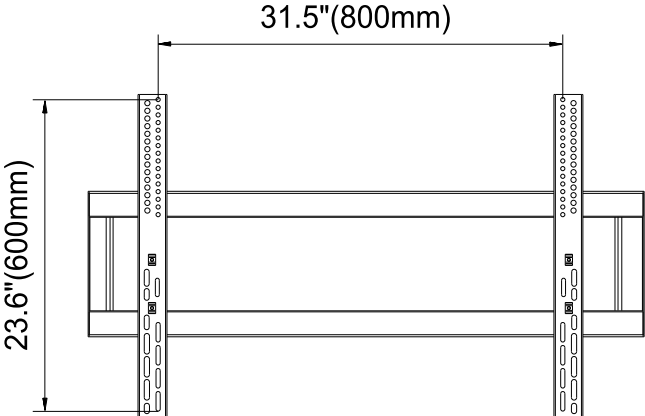
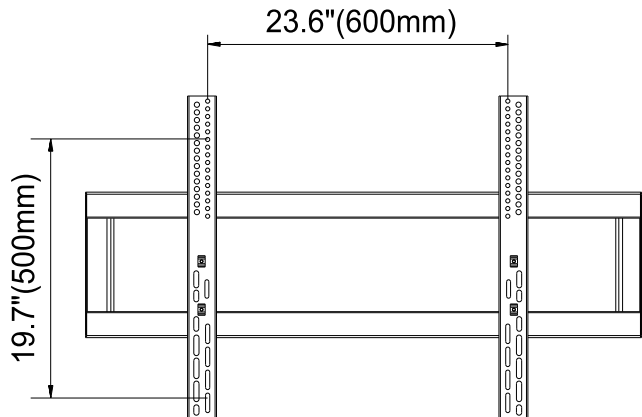
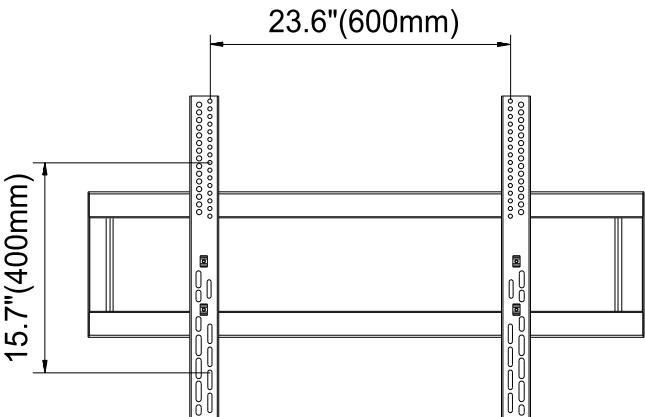
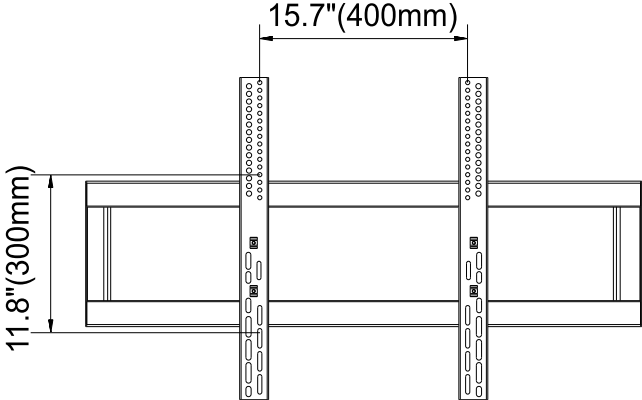
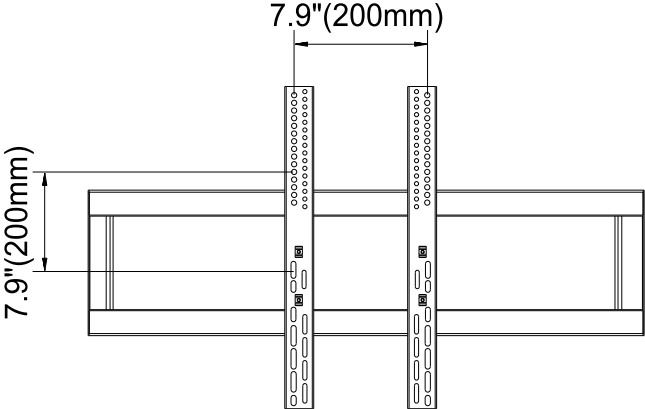


Note:
Ensure screws are secured firmly.

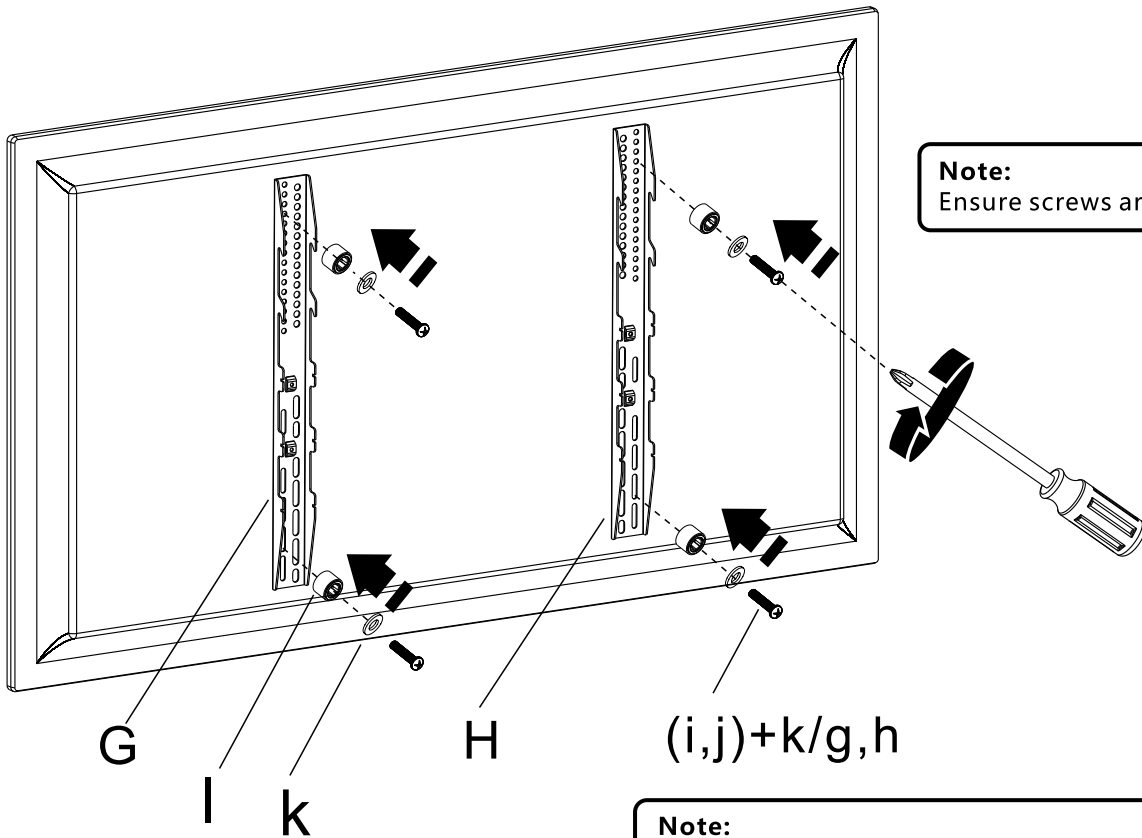


7.VESA mounting patterns

VESA: 200x200~800x600mm

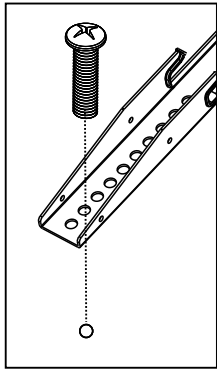


8.VESA rails and TV assembly

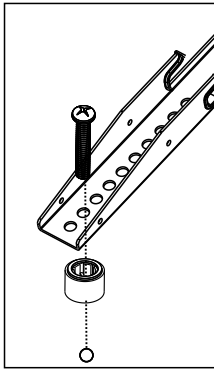
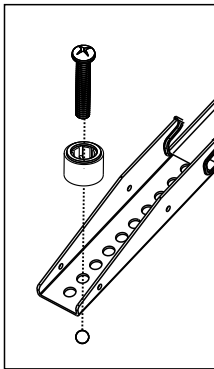


Note:
Based on the screw specifications,
choose one of the following three installation methods

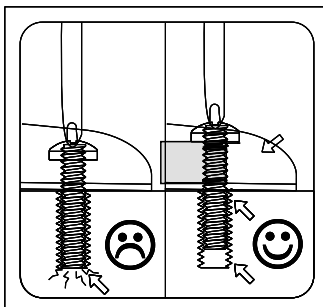
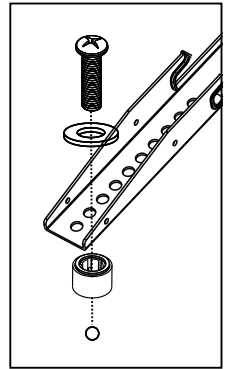
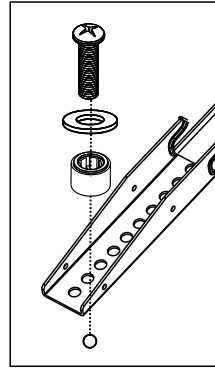
① M10×15mm(g)



② M8×25mm(h)+l

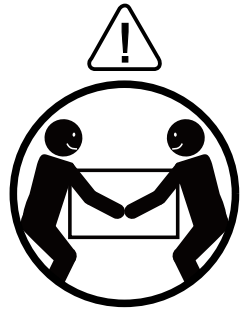
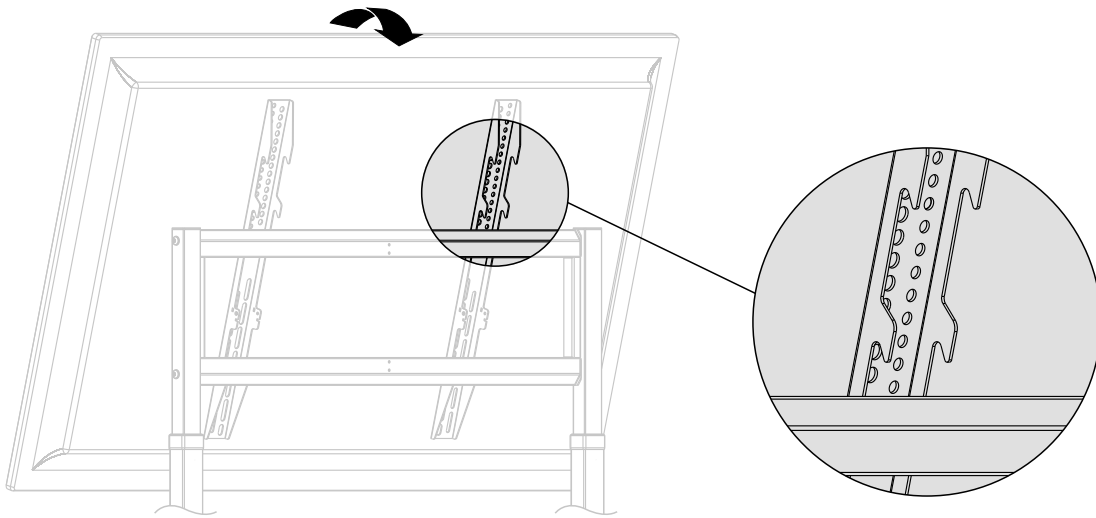


③ M5×25mm(j)
M6×25mm(i) +k+l



Note:
Please use spacers to fix screws onto TV,
lest damage to TV due to overlong screws

9. Mounting TV onto cart



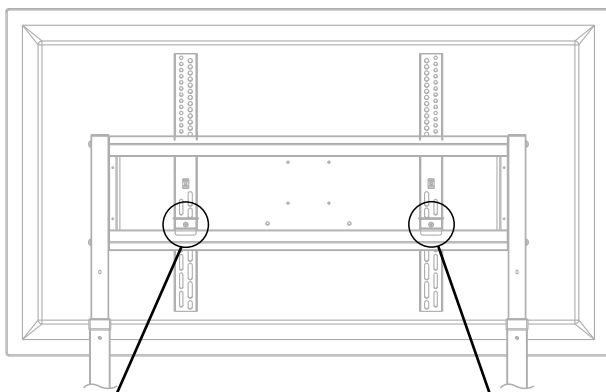
Caution:

To prevent TV from colliding with the bracket, please adjust the bracket to the proper height before hanging on TV.

Note:

If VESA holes on TV are on the upper position, it is suggested to use the second hooker on VESA rails to hang on the TV

Move TV to the center position



Important:

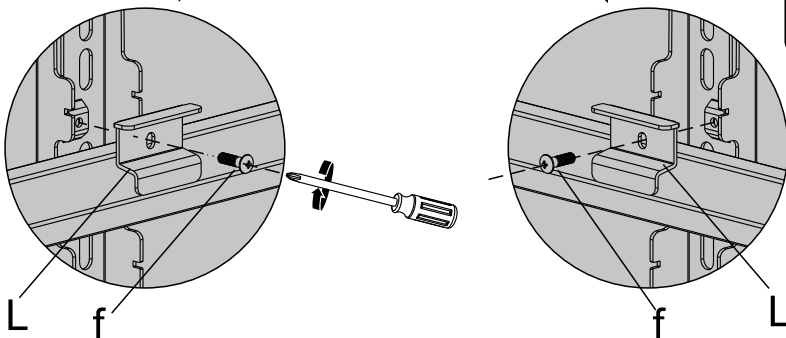
Move TV to the center position.

Warning:

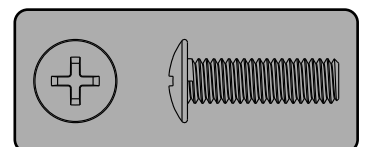
At least two persons are required to mount TV. Holding TV firmly by the bottom to avoid possible damage due to slide-off

Warning:

To avoid property damage and personal injury, please ensure clips are secured firmly.



f. 1:1 diagram



10. Cable management

