

A2 Menu Holder: 4 Frame

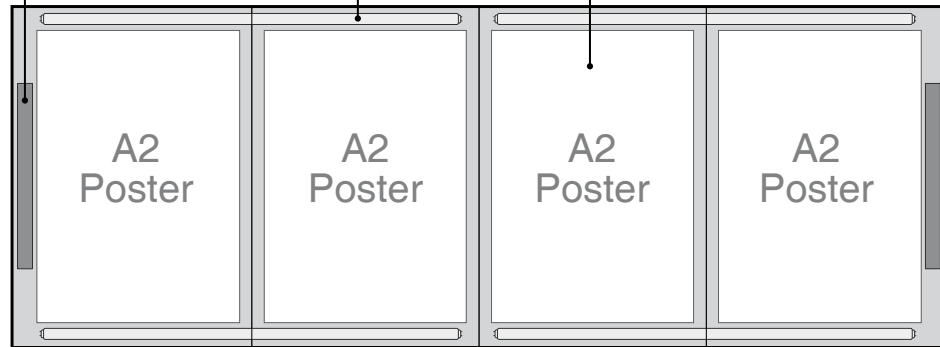


4 x Fluorescent Tubes

4 x Acrylic Faces

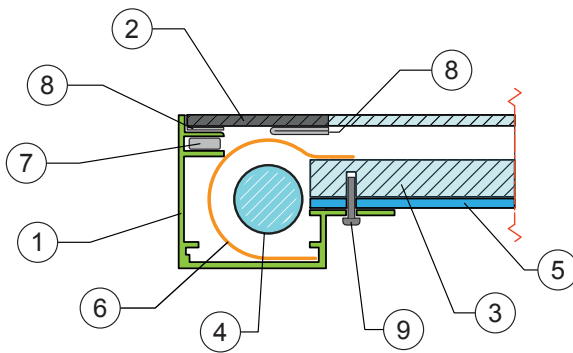
2 x Ballast

663

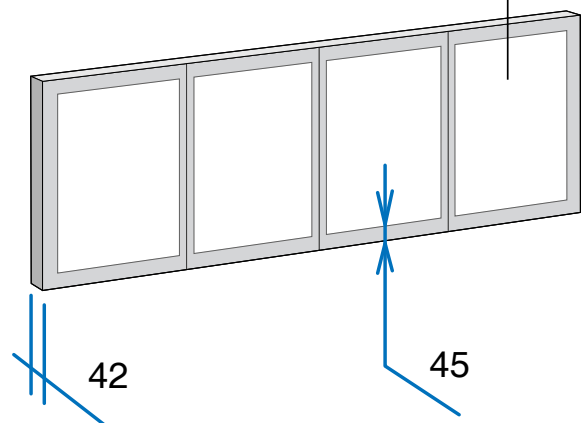


1815

Section View:



Visible Area = 572 x 398



NO.	PART	MATERIAL	QTY
1	FRAME PROFILE	EXTRUDED ALUMINIUM	4
2	FACE PANEL	3MM ACRYLIC	1
3	ILLUMINATED PANEL	9MM ACRYLIC	1
4	T4 FLUORESCENT TUBE	GLASS	2
5	BACKING SHEET	3MM POLYPROPYLENE	1
6	DIFFUSION SHEET	0.1MM POLYPROPYLENE	2
7	RARE EARTH MAGNET	METAL ALLOY	18
8	MAGNET CONTACT	1MM GALVANIZED STEEL	18
9	PAN HEAD SCREW	M4 X 10	18

Technical Information:

Lighting and Ballasts	Annual Power Use *	Average Bulb Life **	Weight (kg)
T4 21W x 4 = 84W	A\$55.18	3 years	23.8

* Annual power consumption based on a 12 hour operational day at \$0.15/Kw (Australian average in 2006)

** Bulb life is calculated based on a 12 hour operational day

© Copyright 2007 and Intellectual Property reserved.

CONFIDENTIAL: Not to be used for any purpose without the express written authorisation of CS & G Signage Group Pty. Limited.

All dimensions and information are intended as a guide only and are subject to change without notice.