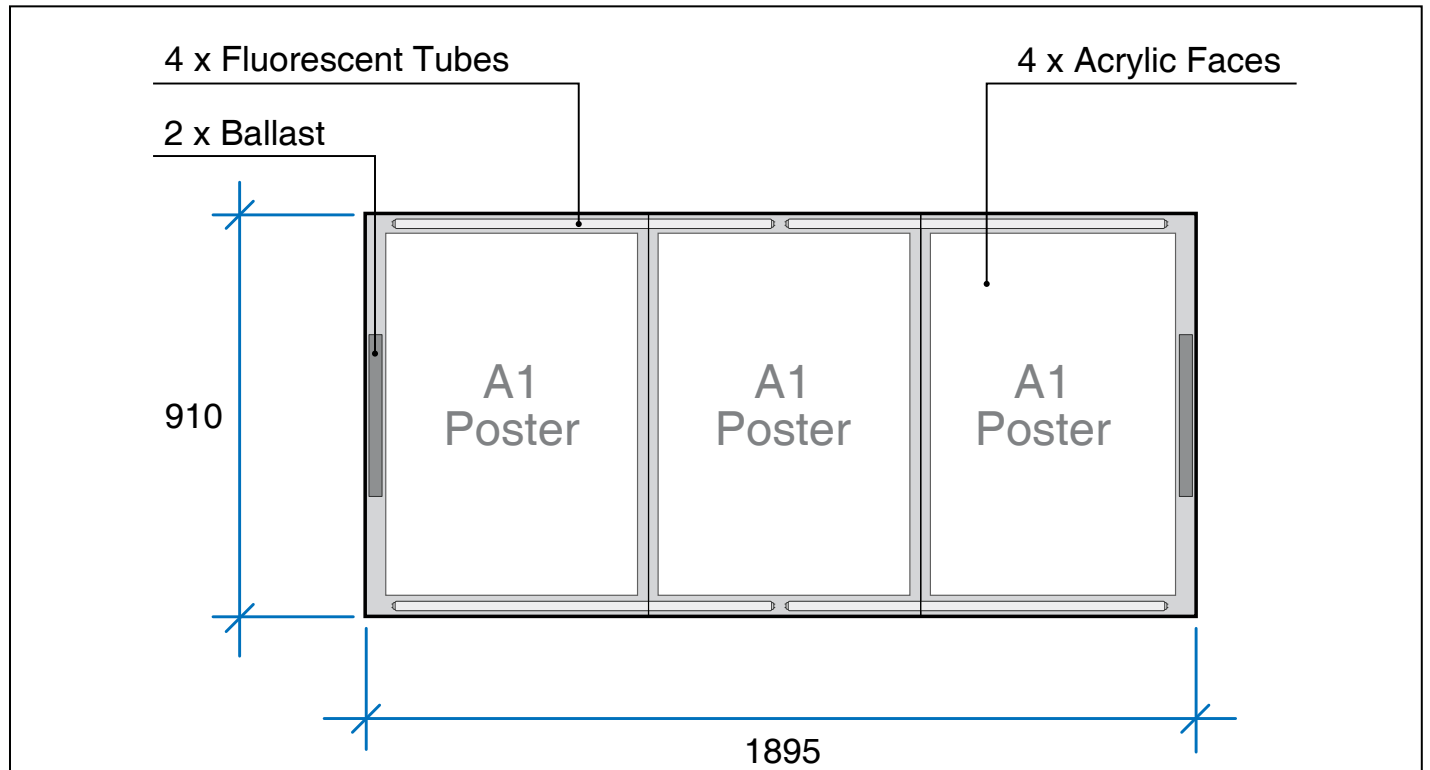
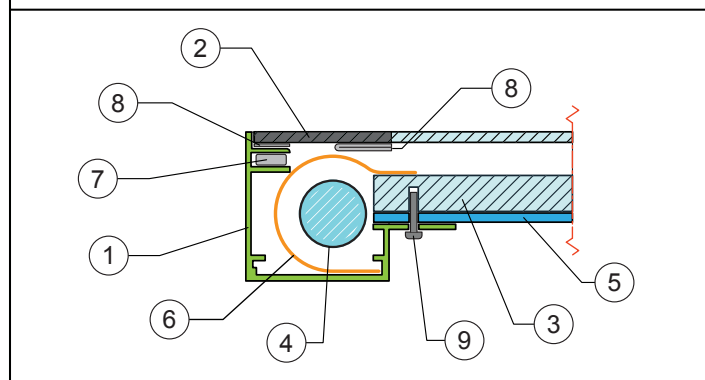


A1 Menu Holder: 3 Frame

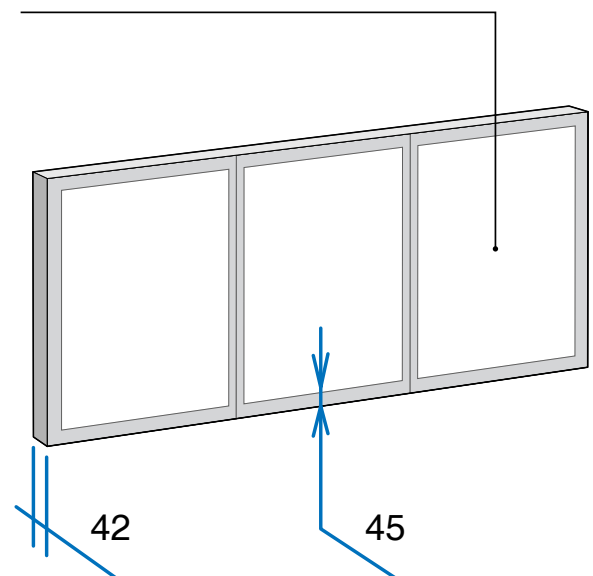


Section View:



NO.	PART	MATERIAL	QTY
1	FRAME PROFILE	EXTRUDED ALUMINIUM	4
2	FACE PANEL	3MM ACRYLIC	1
3	ILLUMINATED PANEL	9MM ACRYLIC	1
4	T4 FLUORESCENT TUBE	GLASS	2
5	BACKING SHEET	3MM POLYPROPYLENE	1
6	DIFFUSION SHEET	0.1MM POLYPROYLENE	2
7	RARE EARTH MAGNET	METAL ALLOY	18
8	MAGNET CONTACT	1MM GALVANIZED STEEL	18
9	PAN HEAD SCREW	M4 X 10	18

Visible Area = 816 x 569



Technical Information:

Lighting and Ballasts	Annual Power Use *	Average Bulb Life **	Weight (kg)
T4 21W x 4 = 84W	A\$55.18	3 years	33.0

* Annual power consumption based on a 12 hour operational day at \$0.15/Kw (Australian average in 2006)

** Bulb life is calculated based on a 12 hour operational day