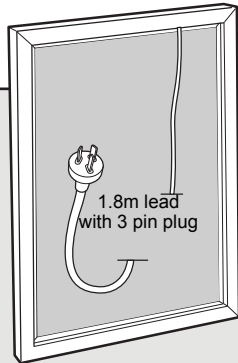
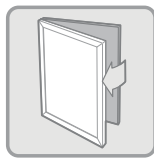
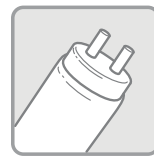
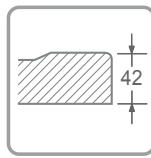
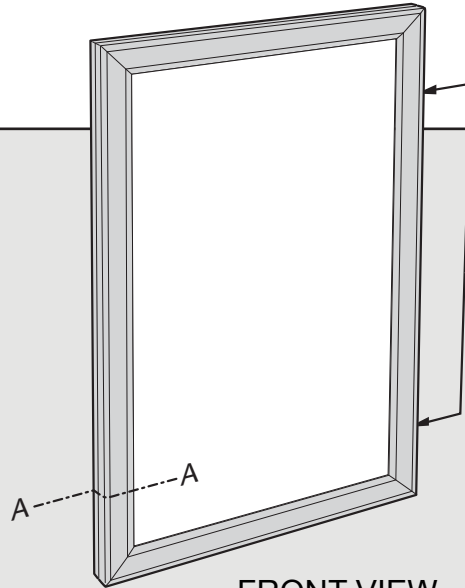


# YGE Ultralock

Style and Security Inside or Out

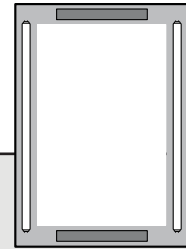


REAR VIEW

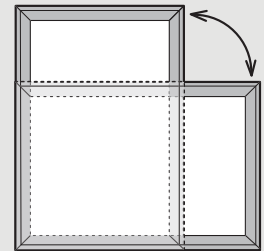


FRONT VIEW

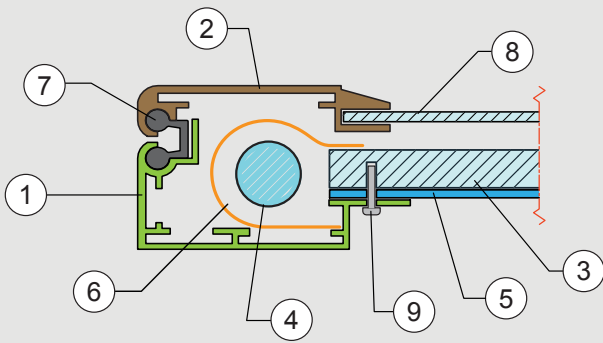
Each unit has two locks which securely fasten the front door closed. They are located as indicated



Shows position of ballasts and tubes in standard box



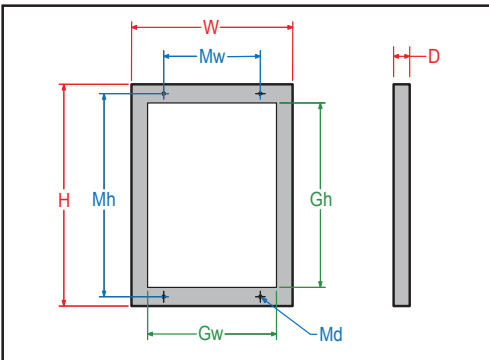
Suitable for portrait or Landscape orientation



SECTION AA

NO.	PART	MATERIAL	QTY
1	FRAME PROFILE	EXTRUDED ALUMINIUM	4
2	DOOR FRAME PROFILE	EXTRUDED ALUMINIUM	4
3	ILLUMINATED PANEL	9MM ACRYLIC	1
4	T4 FLUORESCENT TUBE	GLASS	2
5	BACKING SHEET	3MM POLYPROPYLENE	1
6	DIFFUSION SHEET	0.1MM POLYPROPYLENE	2
7	HINGE PROFILE	EXTRUDED ALUMINIUM	1
8	FACE SHEET	3MM ACRYLIC	1
9	PAN HEAD SCREW	M4 X 10	22

## Unit and Artwork Dimensions



Model	Unit size			Graphic area		Mount holes			Poster size	
	H	W	D	Gh	Gw	Mh	Mw	Md		
YGE - 8	1886	1286	52	1716	1116	1806	1086	8	1740	1140
YGE - 7	1544	1044	52	1412	912	1464	844	8	1440	940
YGE - 6	1244	1029	52	1112	897	1164	829	8	1140	925
YGE - 5	1244	944	52	1112	812	1164	744	8	1140	840
YGE - 2	1029	649	52	897	517	949	449	8	925	545
YGE - A0	1293	945	52	1161	813	1213	745	8	1189	841
YGE - A1	945	698	52	813	566	865	498	8	841	594
YGE - A2	698	524	52	566	392	618	324	8	594	420

Custom sizes and specifications readily facilitated

## Technical Performance Statistics

Model	Average Brightness	Lighting and Ballasts	Annual Power Consumption*	Average Bulb Life **	Weight (kg)
YGE - 8	3570 LUX	T5 39W x 4 = 156W	A\$102.49	3 yrs	51.9
YGE - 7	3490 LUX	T5 80W x 2 = 160W	A\$105.12	3 yrs	26.0
YGE - 6	3320 LUX	T5 54W x 2 = 108W	A\$70.96	3 yrs	23.0
YGE - 5	3360 LUX	T5 54W x 2 = 108W	A\$70.96	3 yrs	20.5
YGE - 2	3460 LUX	T5 39W x 2 = 78W	A\$51.25	3 yrs	13.0
YGE - A0	3580 LUX	T5 54W x 2 = 108W	A\$70.96	3 yrs	23.0
YGE - A1	3630 LUX	T5 39W x 2 = 78W	A\$51.25	3 yrs	12.0
YGE - A2	3600 LUX	T5 24W x 2 = 48W	A\$31.54	3 yrs	8.0

\* Annual power consumption based on 12 hour operational day at \$0.15/Kwh (Australian average in 2006)

\*\* Bulb life calculated based on 12 hour operational day

© Copyright 2007 and Intellectual Property reserved.  
 CONFIDENTIAL: Not to be used for any purpose without the express written authorisation of CS & G Signage Group Pty. Limited.  
 All dimensions and information are intended as a guide only and are subject to change without notice.