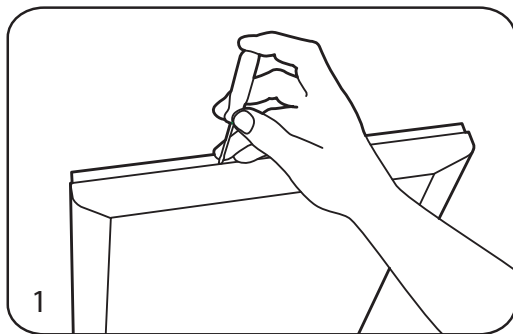


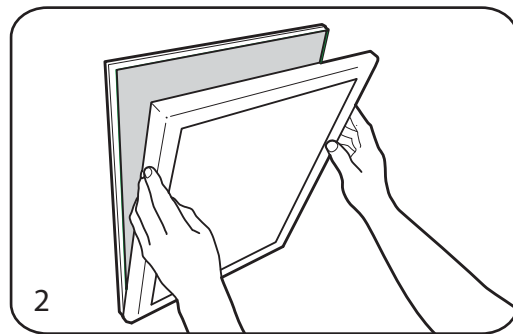
WARNING: Always ensure power is OFF during all maintenance procedures
All lightboxes MUST be securely fastened to wall or other surface
Unless otherwise stated all models are strictly INTERIOR use only

Graphic Replacement Procedure

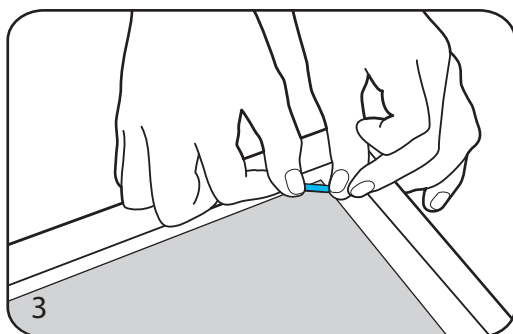
Lightboxes generate heat during normal operation. Appropriate care should be taken during the placement and removal of graphics *



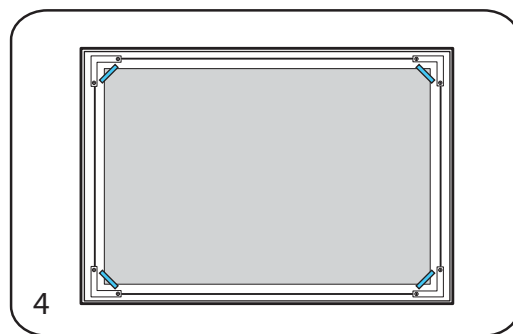
1 Use a small flat bladed screwdriver to prise off the front face



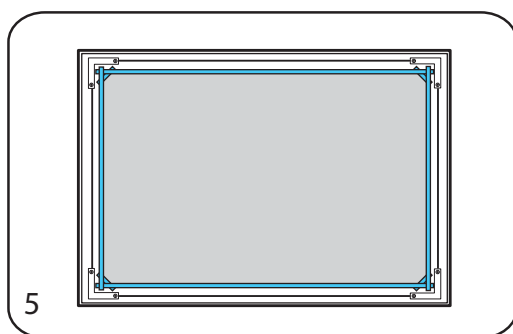
2 Carefully remove and place face down on a soft surface



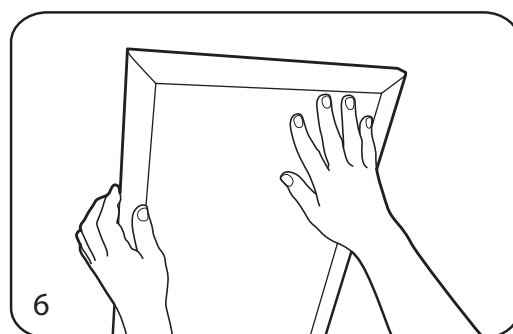
3 Remove old graphic, position new graphic and tape the corner



4 Repeat the process with all corners ensuring graphic is taut



5 Run tape along all four edges of the graphic



6 Return front face to its position and push firmly into place

WARNING: Failure to correctly refit the face (step 6) may result in damage or injury

Cleaning

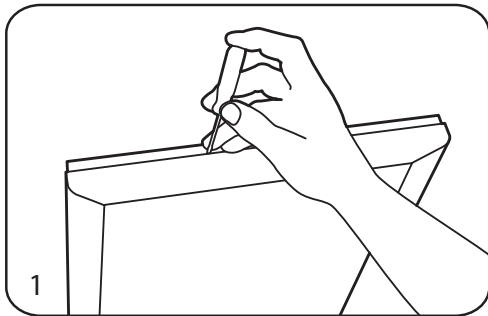
1. The face of the lightbox should be wiped with a damp cloth. A small amount of thinners can be used to remove any grease present, before a final clean using a non-streak cleaning fluid.
2. Dust may be attracted to the lightbox due to static electricity, this can be removed using Reiniger + Pflieger Kunst Stoff, available from Slimline Warehouse
3. Graffiti should be removed using a solvent based product, care being taken to avoid any mechanical abrasion.

* Slimline Warehouse accepts no responsibility for injuries or damages sustained during installation or maintenance of its products.

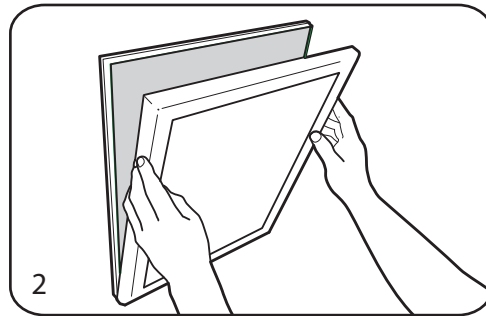
WARNING: Always ensure power is OFF during all maintenance procedures
All lightboxes MUST be securely fastened to wall or other surface
Unless otherwise stated all models are strictly INTERIOR use only

Flourescent Lamp Replacement Procedure

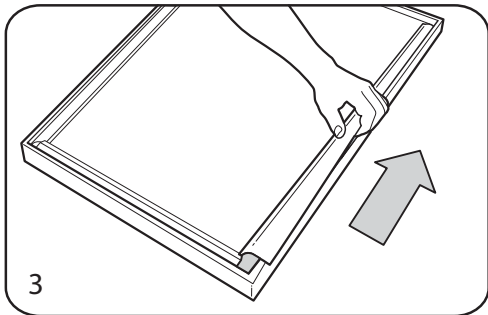
Installation and Maintenance of all lightboxes must be undertaken by a qualified electrician *
It is advised that failed lamps be promptly replaced in order to avoid damage to the units electrical components.



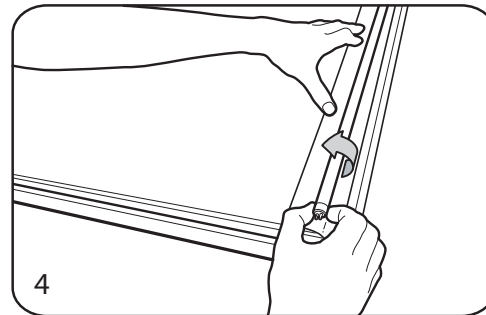
1 Use a small flat bladed screwdriver to prise off the front face



2 Carefully remove and place face down on a soft surface



3 Fully untuck diffusion sheet by running fingers beneath it



4 Hold diffusion sheet and twist flourescent tube to release