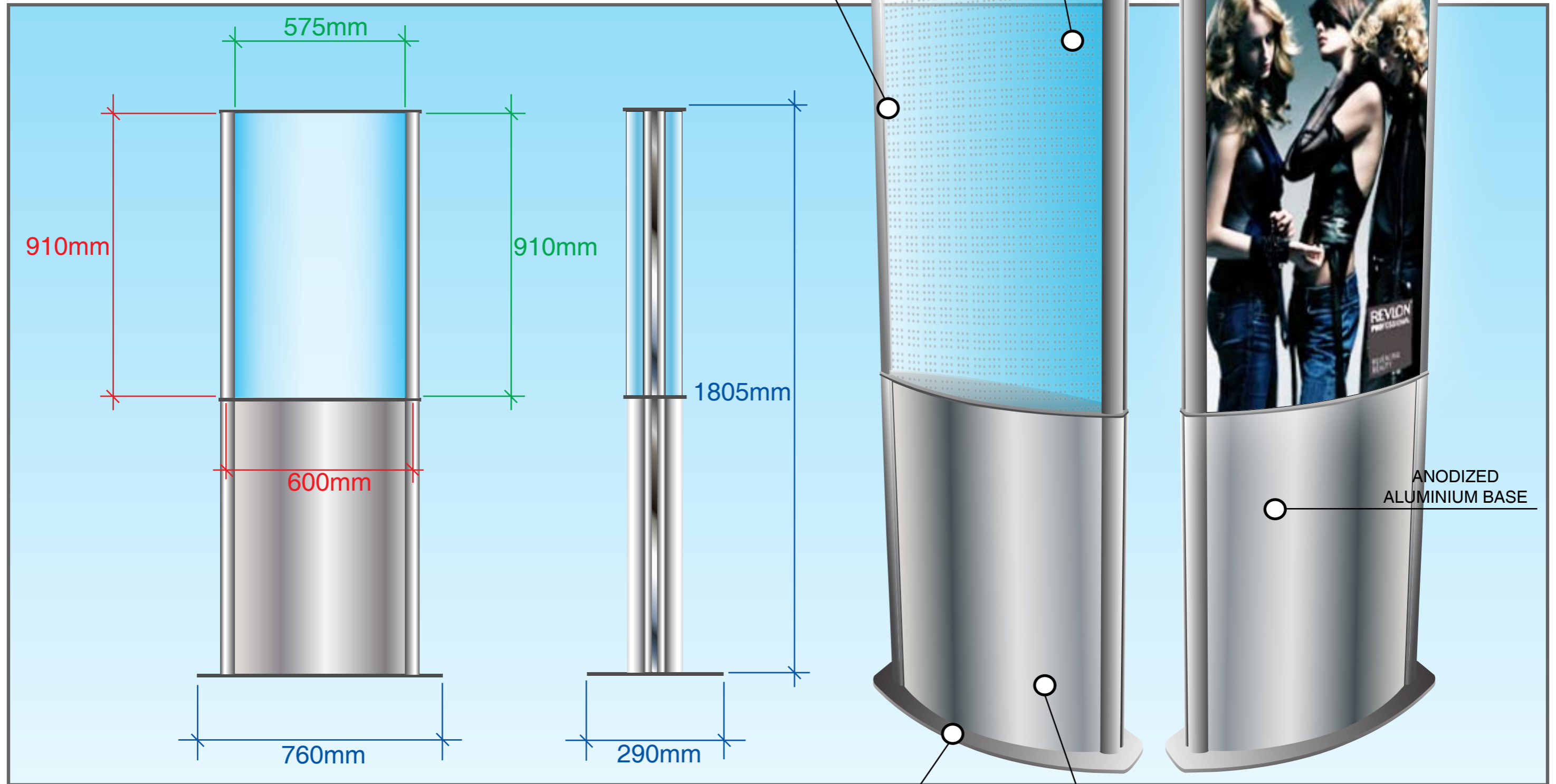


**ILLUMINATED TOTEM:  
DOUBLE SIDED ELLIPTICAL**

LOW VOLTAGE, LONG  
LASTING, EDGE LIT LED  
TECHNOLOGY

DOUBLE SIDED  
ELLIPTICAL LIGHT PANEL

SNAP SIDE RAILS FOR  
EASY GRAPHIC CHANGES



5MM BASE PLATE  
SITS FLAT ON THE FLOOR

DURABLE LIGHTWEIGHT  
ALUMINIUM FRAME

ANODIZED  
ALUMINIUM BASE

**slimline  
warehouse**  
THE CS&G GROUP

T +61 3 9359 9144 / +61 3 9359 5495

F +61 3 9359 9211

E sales@slimlinewarehouse.com.au

35 - 37 Sages Rd Glenroy VIC 3046 Australia

[www.slimlinewarehouse.com.au](http://www.slimlinewarehouse.com.au)