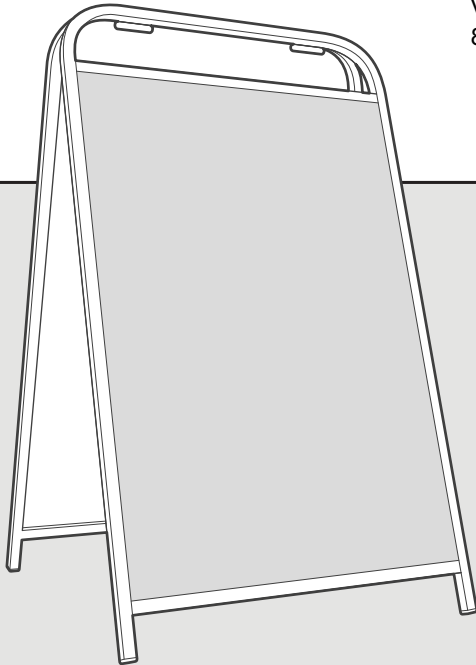


A-Boards

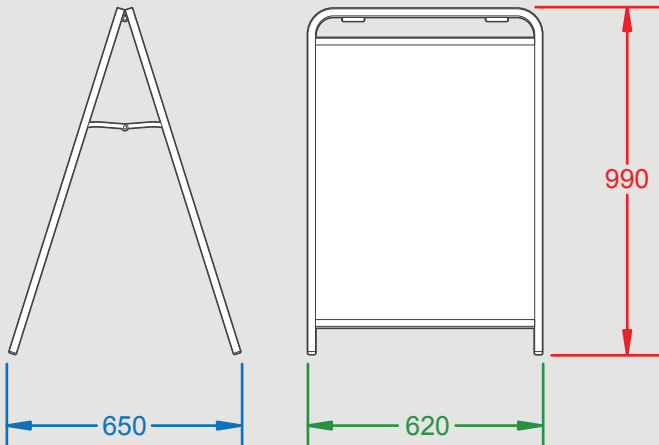
Permanently Branded Model



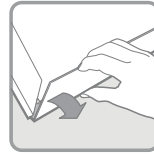
VISUAL AREA:
810 X 575 MM



WELDED STEEL CONSTRUCTION
WEIGHT:

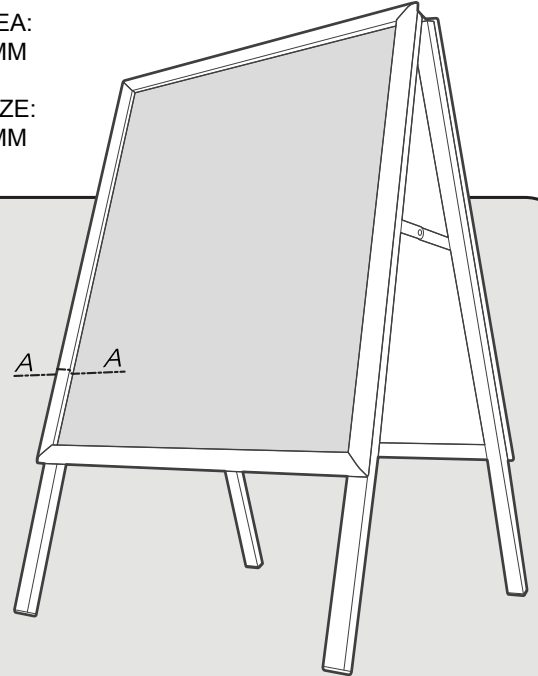


Clip Frame Model

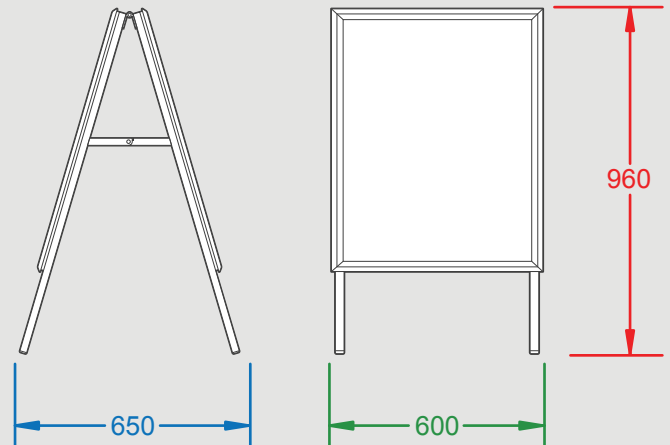


VISUAL AREA:
690 X 540 MM

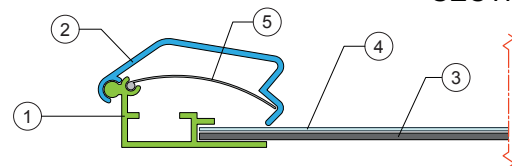
POSTER SIZE:
710 X 560 MM



ALUMINIUM CONSTRUCTION
WEIGHT:



SECTION AA



NO.	PART	MATERIAL	QTY
1	FRAME PROFILE	EXTRUDED ALUMINIUM	4
2	SNAP FRAME PROFILE	EXTRUDED ALUMINIUM	4
3	BACKING SHEET	2MM POLYPROPYLENE	1
4	COVER SHEET	1MM POLYPROPYLENE	1
5	SPRING	METAL ALLOY	10